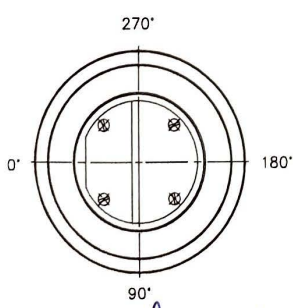
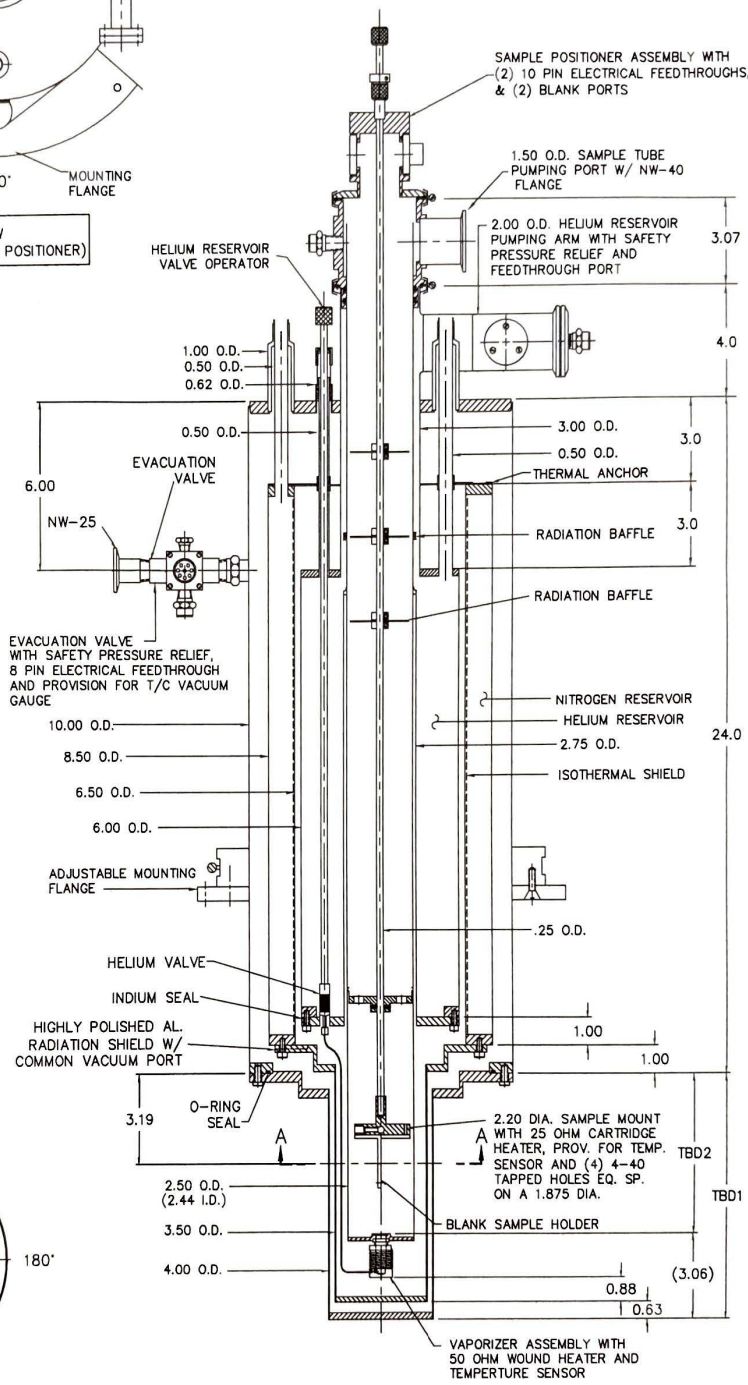
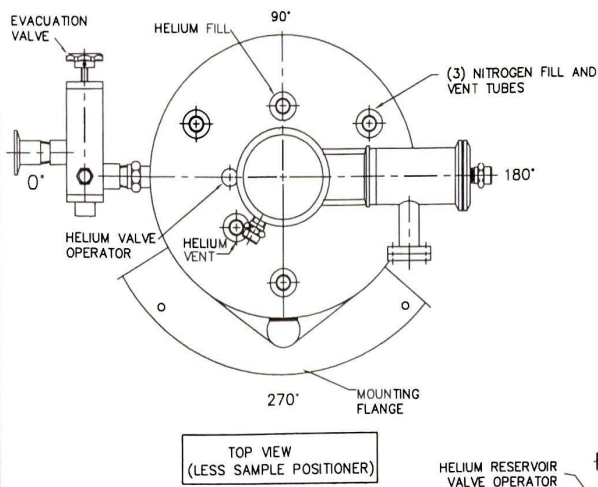


REVISIONS		
LTR	DESCRIPTION	DATE



*Handwritten signature: Halbritter Avora's*

*Handwritten note: BUDAPEST, 27 June 2008*

NOTE: ALL DIMENSIONS ARE IN INCHES

CONFIDENTIAL AND PROPRIETARY THIS DRAWING AND/OR INFORMATION CONTAINED HEREIN IS THE SOLE PROPERTY OF THE JANIS RESEARCH COMPANY AND IS NOT TO BE RELEASED OR DIVULGED TO THIRD PARTIES WITHOUT THE EXPRESSED, WRITTEN CONSENT OF THE JANIS RESEARCH COMPANY, INC.	APPROVALS			JANIS RESEARCH CO.		
	DEPT.	SIG.	DATE	WILMINGTON, MA.		
	CHK BY:	Y.M.	06/18/08	TITLE MODEL SVT-200T OPTION 5		
	ENG.			10 CNDD CRYOSTAT		
	G.C.			SIZE D	DRAWING NO. D06-18-08C	REV.
RELEASED TO WFO BY:			CUST. APPROVAL P.N.	SCALE HALF	SHT 1 OF 1	